

OFFICE FOR HOURS AND MINUTES

A collection of analog clocks for locating yourself in time. Minute vibrational impulses travel through the wood surface between clocks, creating a sympathetic motion of the pendulums.

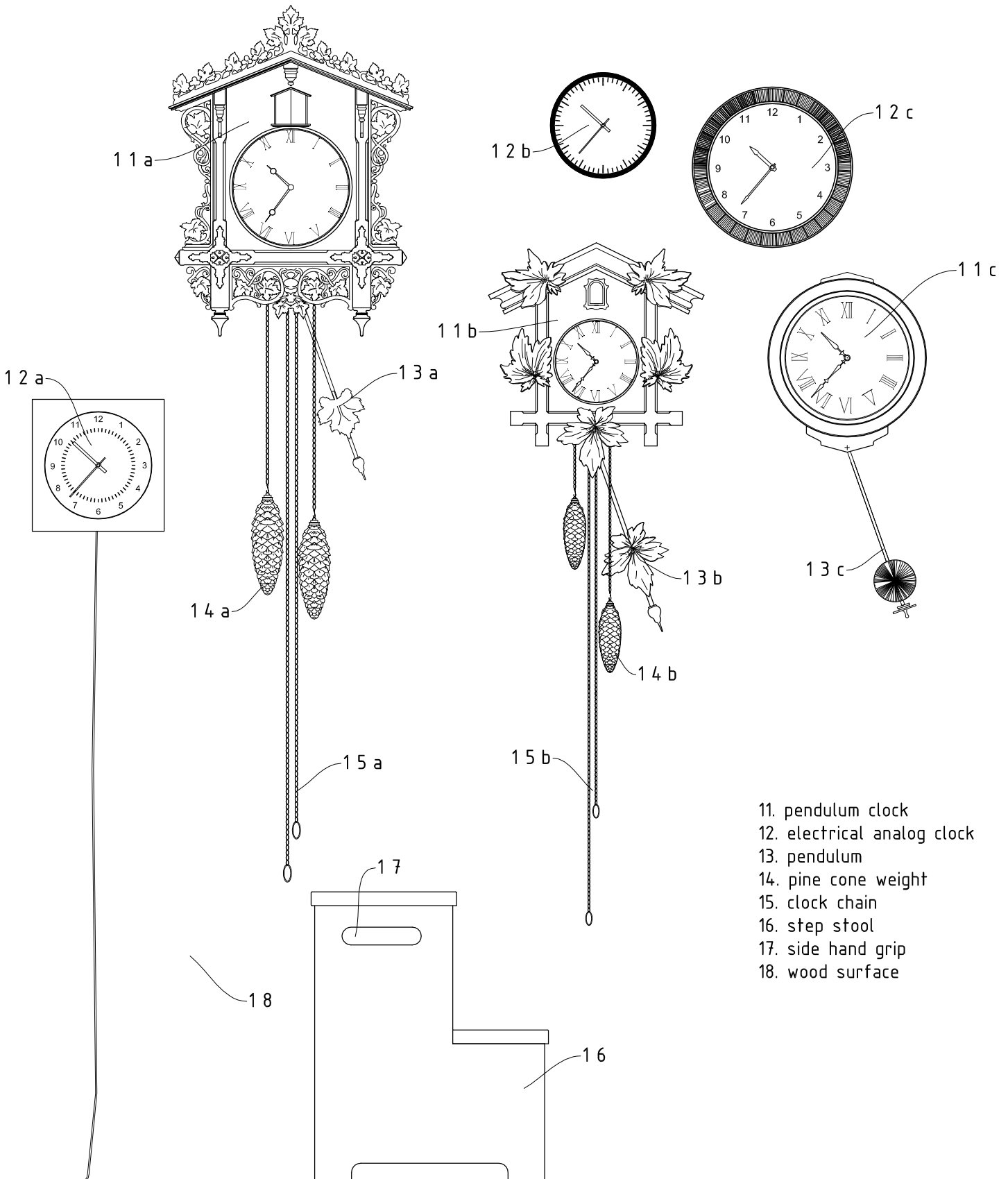


FIG. 1

Front elevational view