

WATERFLOW MONITOR STATION

Exposed copper pipe for feeling temperature shifts with your hands or cheek. Additional monitoring instruments include a stethoscope for listening to water flow, and a gauge to chart water pressure.

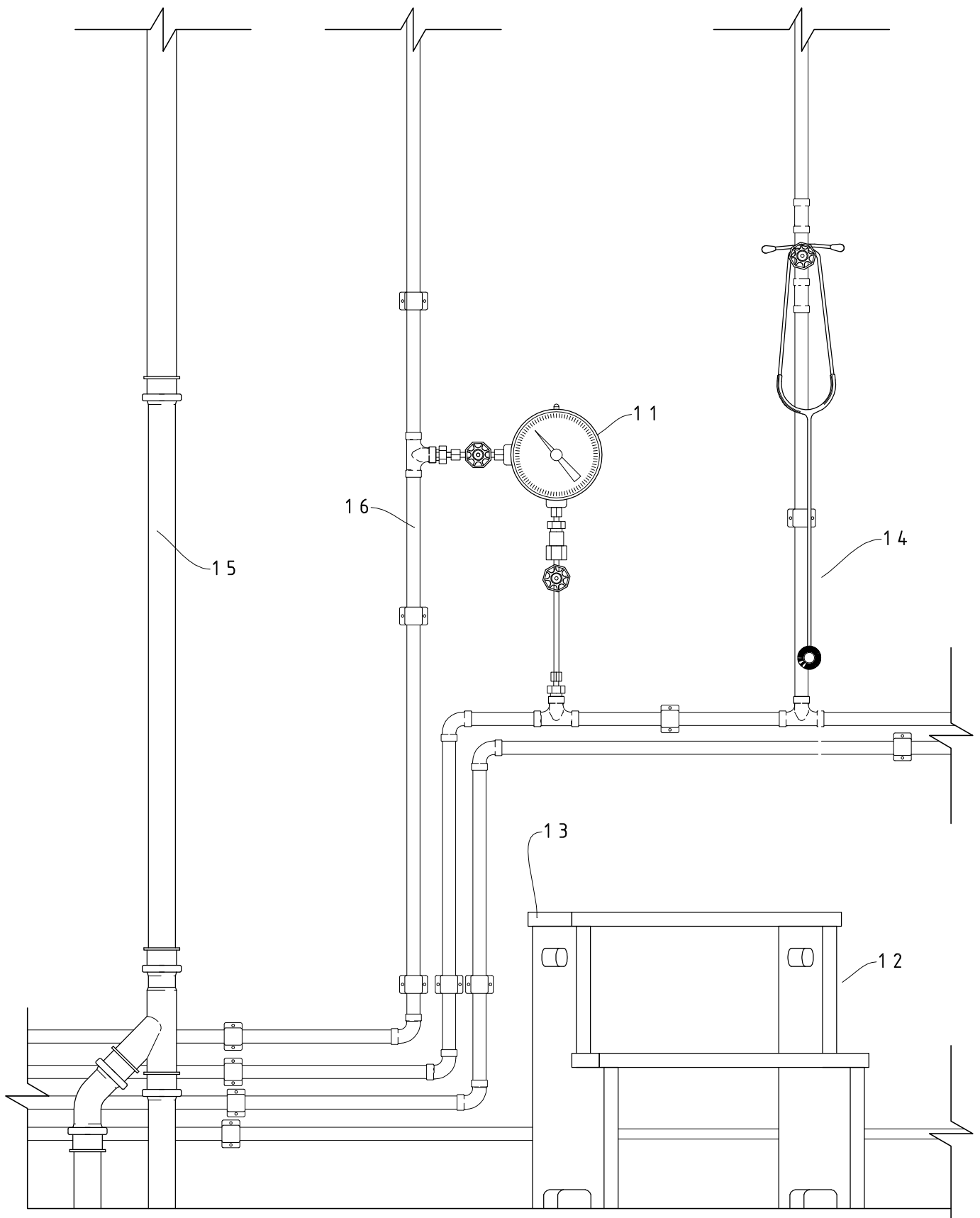


FIG. 1

Front elevational view

- 11. water pressure gauge
- 12. foot stool
- 13. side hand grip
- 14. stethoscope
- 15. exposed pipe, clear PVC
- 16. exposed pipe, copper